

HCD-1501-40

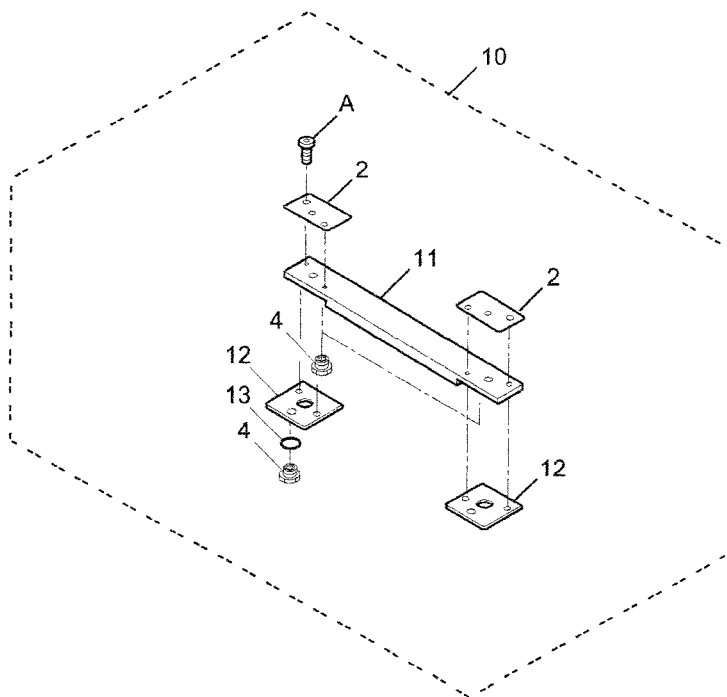
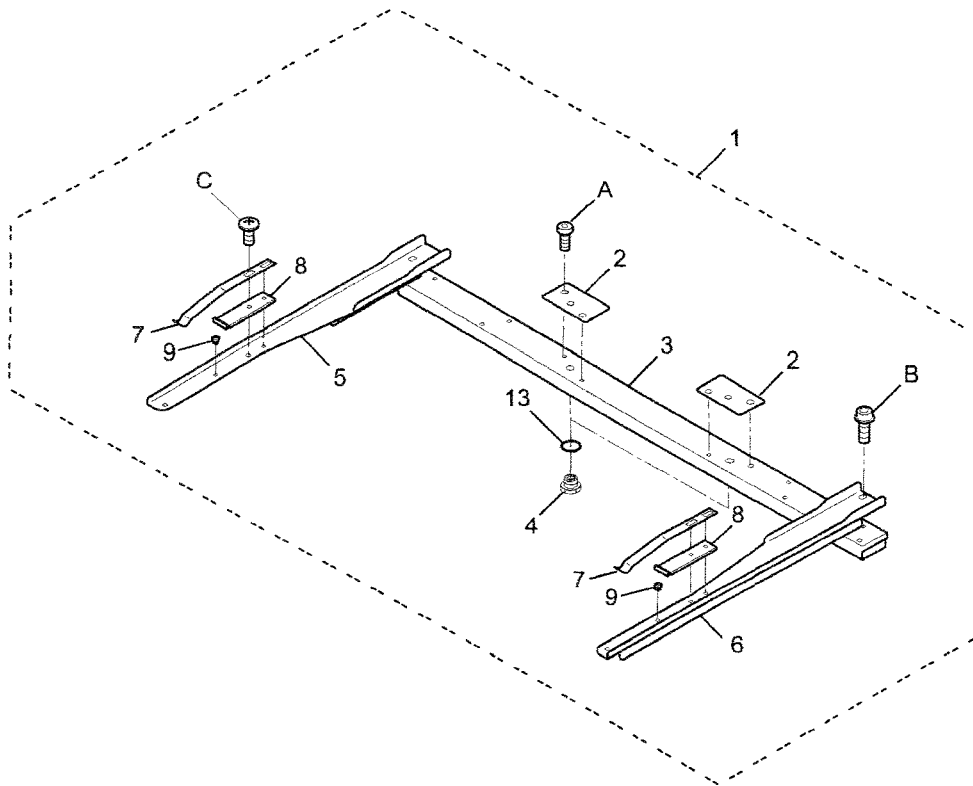
Computerized Single Head Embroidery Machine

PARTS LIST



CDG509

From the library of: Superior Sewing Machine & Supply LLC



FRAME BASE

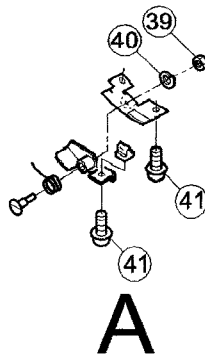
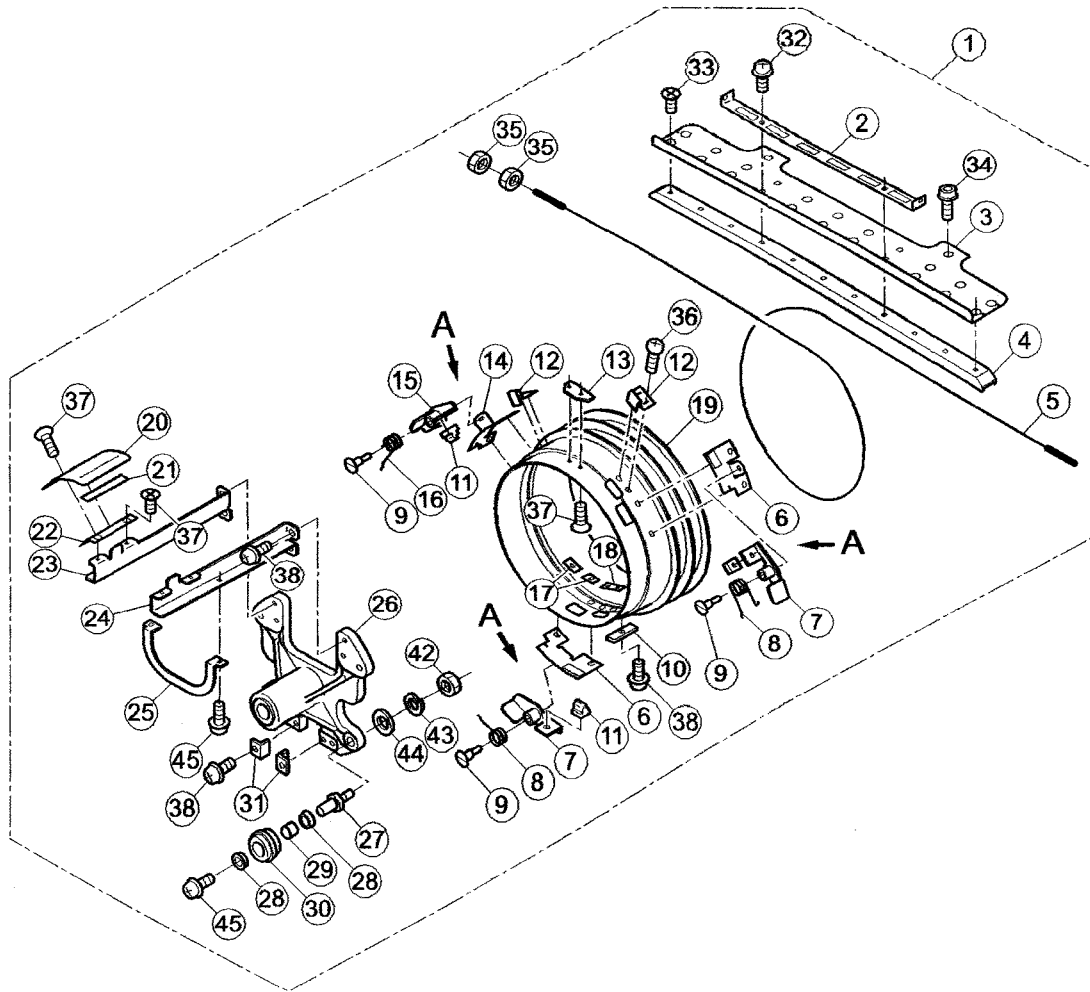
CDF801

16a-1

Ass'y	El't	Parts No.	Parts Names	Note
	1	HCD937020	Frame base ass'y	
	2	HCD37030	Spacer A	
	3	HCD37023	Tubular frame bracket B	
	4	M0438941	Insert nut	
	5	HCA37061	Tubular frame hold arm (left)	
	6	HCA37051	Tubular frame hold arm (right)	
	7	HCM41353	Hold spring C	
	8	HCM41361	Hold spring base	
	9	C0440563	Positioning pin	
	10	HCD937040	Cap frame bracket ass'y	
	11	HCD37041	Cap frame bracket A	
	12	HCD37050	Cap frame mount plate	
	13	M0424080	Spacer	
	A	SCAD03006	Hexagon socket head cap screw (M3x6)	
	B	SCBD04006	Hexagon socket head cap screw with flange (M4x6)	
	C	SBAB04010	Binding head screw (cross recessed, M4x10)	

CAP FRAME (DRIVE FRAME)

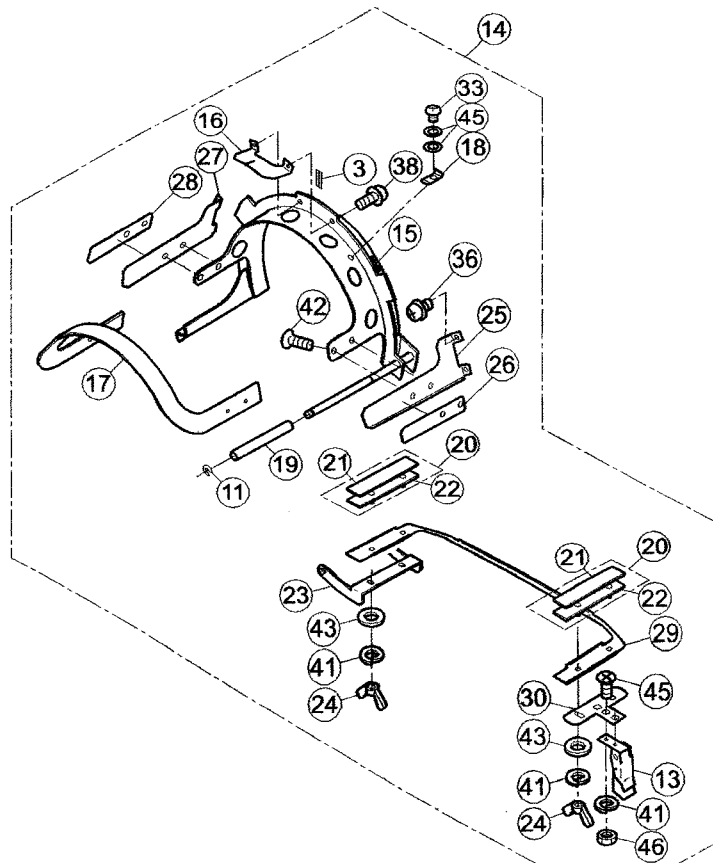
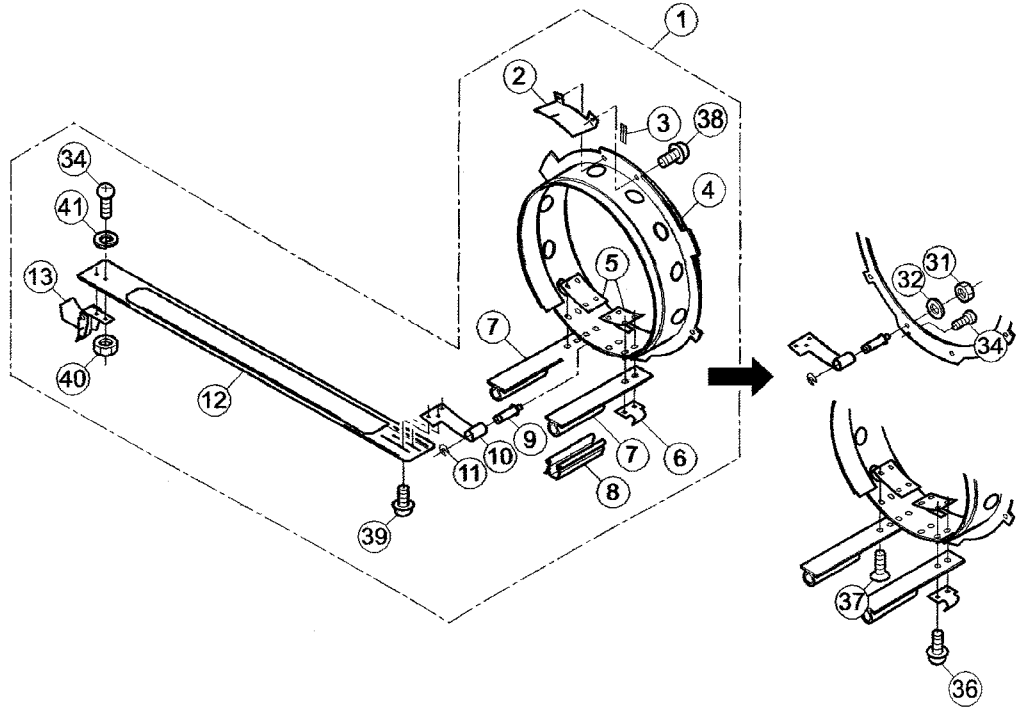
CAa8A18 19a-1



CAP FRAME (DRIVE FRAME)

Caa8A18 19a-1

Ass'y	El't	Parts No.	Parts Names	Note
	1	FRA43501	Drive frame ass'y A (red)	
	1	FRA43881	Drive frame ass'y B (blue)	
	2	FRA43790	Wire fixing plate	
	3	FRA43830	Rail bracket	
	4	FRA43820	Rail	
	5	FRA43780	Wire	
	6	FRA43590	Lever bracket (right)	
	7	FRA43560	Hold lever ass'y (right)	
	8	FRA43620	Torsion coil spring (right)	
	9	FRA43610	Support pin	
	10	FRA43800	Wire keeper	
	11	FRA43601	Lock pin	
	12	FRA43550	Spring	
	13	FRA43540	Center guide	
	14	FRA43650	Lever bracket (left)	
	15	FRA43630	Hold lever ass'y (left)	
	16	FRA43660	Torsion coil spring (left)	
	17	FRA43670	Plate nut (M4)	
	18	FRA43680	Plate nut (M3)	
	19	FRA43841	rotary cylinder	
	20	FRA43700	Guide	
	21	FRA43740	Protect sheet	
	22	FRA43730	Guide bracket	
	23	FRA43721	Guide support (left)	
	24	FRA43711	Guide support (right)	
	25	FRA43690	Reinforcement plate	
	26	FRA43971	Base ass'y	
	27	FRA43530	Guide roller pin	
	28	FRA43520	Bearing	
	29	FRA43750	Guide roller spacer	
	30	FRA43510	Guide roller	
	31	FRA43810	Stopper	
	32	SPDD04012	Pan head screw (cross recessed, M4x12)	
	33	SGAD04008	Flat head screw (cross recessed head, M4x8)	
	34	SCAD04008	Hexagon socket head cap screw (M4x8)	
	35	NHAD03000	Hexagon nut (M3)	
	36	SPAD03005	Pan head screw (cross recessed, M3x5)	
	37	SGAD03004	Flat head screw (cross recessed head, M3x4)	
	38	SPDD04010	Pan head screw (cross recessed, M4x10)	
	39	NHCD04000	Hexagon nut (M4)	
	40	WSAD04000	Spring lock washer (M4)	
	41	SPDD04008	Pan head screw (cross recessed, M4x8)	
	42	NHAD05000	Hexagon nut (M5)	
	43	WSAD05000	Spring lock washer (M5)	
	44	WPAD05000	Plain washer (M5)	
	45	SPDD04006	Pan head screw (cross recessed, M4x6)	

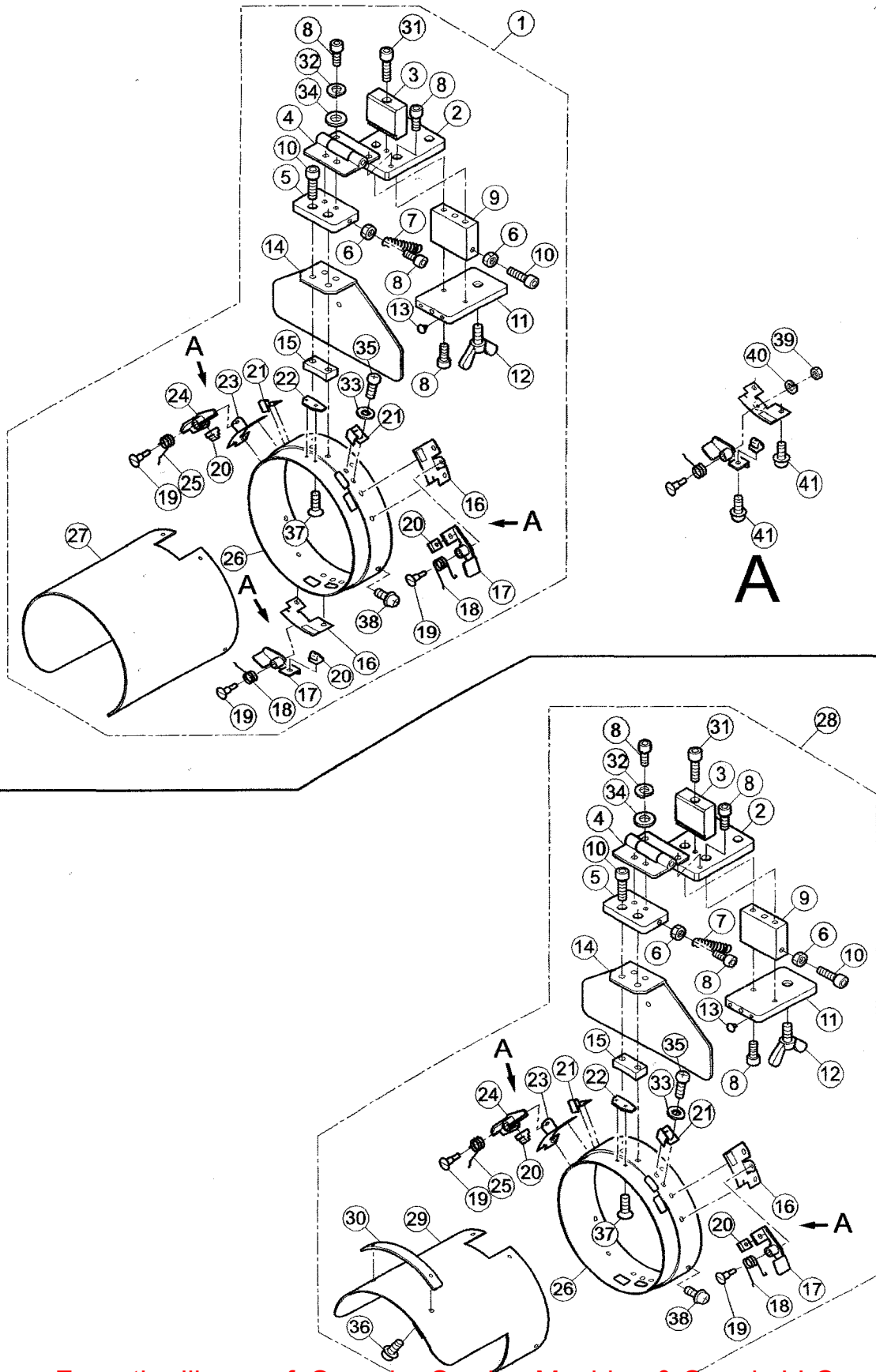


CAP FRAME (HOLD FRAME)

CSF128

19b-1

Ass'y	El't	Parts No.	Parts Names	Note
	1	FRA44001	Cap hold frame ass'y (wide type)	
	2	FRA44210	Position braket	
	3	FRA44180	Cap marker	
	4	FRA44102	Cap hold frame (wide type)	
	5	FRA44050	Cap holder bracket	
	6	FRA44031	Hook	
	7	FRA44201	Cap holder A	
	8	FRA44090	Clip	
	9	FRA44013	Guide pin	
	10	FRA44022	Grip bracket	
	11	FRA44170	E-ring	
	12	FRA44042	Cap grip	
	13	FRA44160	Latch	
	14	FRA46502	Cap hold frame ass'y (low profile type)	
	15	FRA46025	Cap hold frame (low profile type)	
	16	FRA44240	Position braket	
	17	FRA46550	Clamp C	
	18	FRA46620	Spring clip	
	19	FRA46141	Spacer	
	20	FRA46610	Side holder ass'y	
	21	FRA46630	Side holder cushion	
	22	FRA46182	Side holder	
	23	FRA46082	Bracket	
	24	NWBB03000	Wing nut (M3)	
	25	FRA46520	Side support (right)	
	26	FRA46561	Side support ruber (right)	
	27	FRA46530	Side support (left)	
	28	FRA46571	Side support ruber (left)	
	29	FRA46212	Clamp B	
	30	FRA46151	Latch bracket	
	31	NHAD04000	Hexagon nut (M4)	
	32	WPAD04000	Plain washer (M4)	
	33	SPAD03003	Pan head screw (cross recessed, M3x3)	
	34	SPAD03005	Pan head screw (cross recessed, M3x5)	
	35	SPDD04005	Pan head screw (cross recessed, M4x5)	
	36	SPDD04012	Pan head screw (cross recessed, M4x12)	
	37	SGAD04008	Flat head screw (cross recessed head, M4x8)	
	38	SPDD03005	Pan head screw (cross recessed, M3x5)	
	39	SPDD03004	Pan head screw (cross recessed, M3x4)	
	40	NHAD03000	Hexagon nut (M3)	
	41	WSAD03000	Spring lock washer (M3)	
	42	SGAD03004	Flat head screw (cross recessed head, M3x4)	
	43	WPAD03000	Plain washer (M3)	
	44	WPBD03000	Plain washer (M3)	
	45	SGAD03006	Flat head screw (cross recessed head, M3x6)	
	46	NHCD03000	Hexagon nut (M3)	



CAP FRAME (CAP STRETCHER)

CSF128

19c-1

Ass'y	El't	Parts No.	Parts Names	Note
	1	FRA44502	Cap stretcher (wide type)	
	2	FRA44600	Base E	
	3	FRA44610	Stopper A	
	4	FRA44580	Hinge	
	5	FRA44590	Base D	
	6	NHAD05000	Hexagon nut (M5)	
	7	FRA44620	Tension coil spring	
	8	SCAD05012	Hexagon socket head cap screw (M5x12)	
	9	FRA44561	Base B	
	10	SCAD05020	Hexagon socket head cap screw (M5x20)	
	11	FRA44571	Base C	
	12	SWAB10020	Wing bolt (M10x20)	
	13	FRA44630	Cushion	
	14	FRA44531	Back plate	
	15	FRA44541	R block	
	16	FRA43591	Lever bracket (right)	
	17	FRA43560	Hold lever ass'y (right)	
	18	FRA43620	Torsion coil spring (right)	
	19	FRA43611	Support pin	
	20	FRA43601	Lock pin	
	21	FRA43550	Spring	
	22	FRA43542	Center guide	
	23	FRA43651	Lever bracket (left)	
	24	FRA43630	Hold lever ass'y (left)	
	25	FRA43660	Torsion coil spring (left)	
	26	FRA44511	Cylinder	
	27	FRA44521	Stretch plate (wide type)	
	28	FRA46350	Cap stretcher (low profile type)	
	29	FRA46330	Stretch plate (low profile type)	
	30	FRA46320	Block	
	31	SCAD05035	Hexagon socket head cap screw (M5x35)	
	32	WSAD05000	Spring lock washer (M5)	
	33	WPAD03000	Plain washer (M3)	
	34	WPAD05000	Plain washer (M5)	
	35	SPAD03005	Pan head screw (cross recessed, M3x5)	
	36	SPDD03005	Pan head screw (cross recessed, M3x5)	
	37	SGAD03005	Flat head screw (cross recessed head, M3x5)	
	38	SPDD04010	Pan head screw (cross recessed, M4x10)	
	39	NHCD04000	Hexagon nut (M4)	
	40	WSAD04000	Spring lock washer (M4)	
	41	SPDD04008	Pan head screw (cross recessed, M4x8)	
	42	SGAD03004	Flat head screw (cross recessed head, M3x4)	
	43	WPAD03000	Plain washer (M3)	
	44	WPBD03000	Plain washer (M3)	
	45	SGAD03006	Flat head screw (cross recessed head, M3x6)	
	46	NHCD03000	Hexagon nut (M3)	